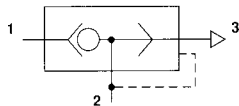


# Quick Exhaust Valves

## T70 Series

1/8"-1/2" BSP



### FEATURES

Enables air to be exhausted quickly from air reservoirs and cylinders.

Allows higher cylinder speeds to be achieved.

Simple, compact design and construction.

Very reliable in operation.

### TECHNICAL DATA

#### Medium:

Compressed air, filtered, lubricated and non-lubricated

#### Operating Pressure:

0,5-10 bar

#### Ambient Temperature:

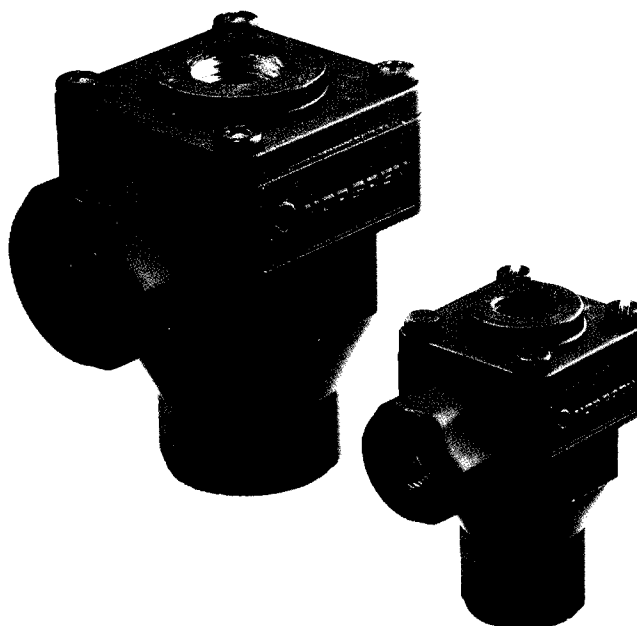
-20°C to +80°C.

Consult our Technical Service for use below +2°C.

### MATERIALS

Body & cover: zinc or aluminium alloy

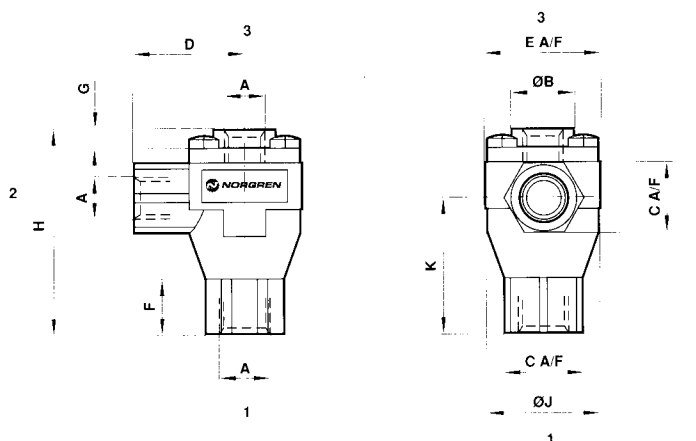
Seals: nitrile



Port Size (BSPP)	Model	Flow (1-2)†		Flow (2-3)		kg	Spares Kit ▲
		C*	Cv**	C*	Cv**		
1/8	T70C1800	3,8	0,93	4,4	1,1	0,15	T70C1800K0
1/4	T70C2800	8	2	8,8	2,2	0,13	T70C2800K0
3/8	T70C3800	16	4	18	4,4	0,21	T70C3800K0
1/2	T70C4800	22	5,4	24,5	6	0,19	T70C4800K0

\*C: dm<sup>3</sup>/s.bar \*\*Cv: US gal/min †Flow factor measured at 6 bar inlet pressure.

▲ Seals only.



Model	A	ØB	C A/F	D	E A/F	F	G	H	ØJ	K
T70C1800	G 1/8	19	19	28	30	15,3	3,5	53	29	35,5
T70C2800	G 1/4	19	19	28	30	15,3	3,5	53	29	35,5
T70C3800	G 3/8	30	30	40	46	15,5	4	73,5	46	48
T70C4800	G 1/2	30	30	40	46	15,5	4	73,5	46	48

Data Sheet Ref: 214 98